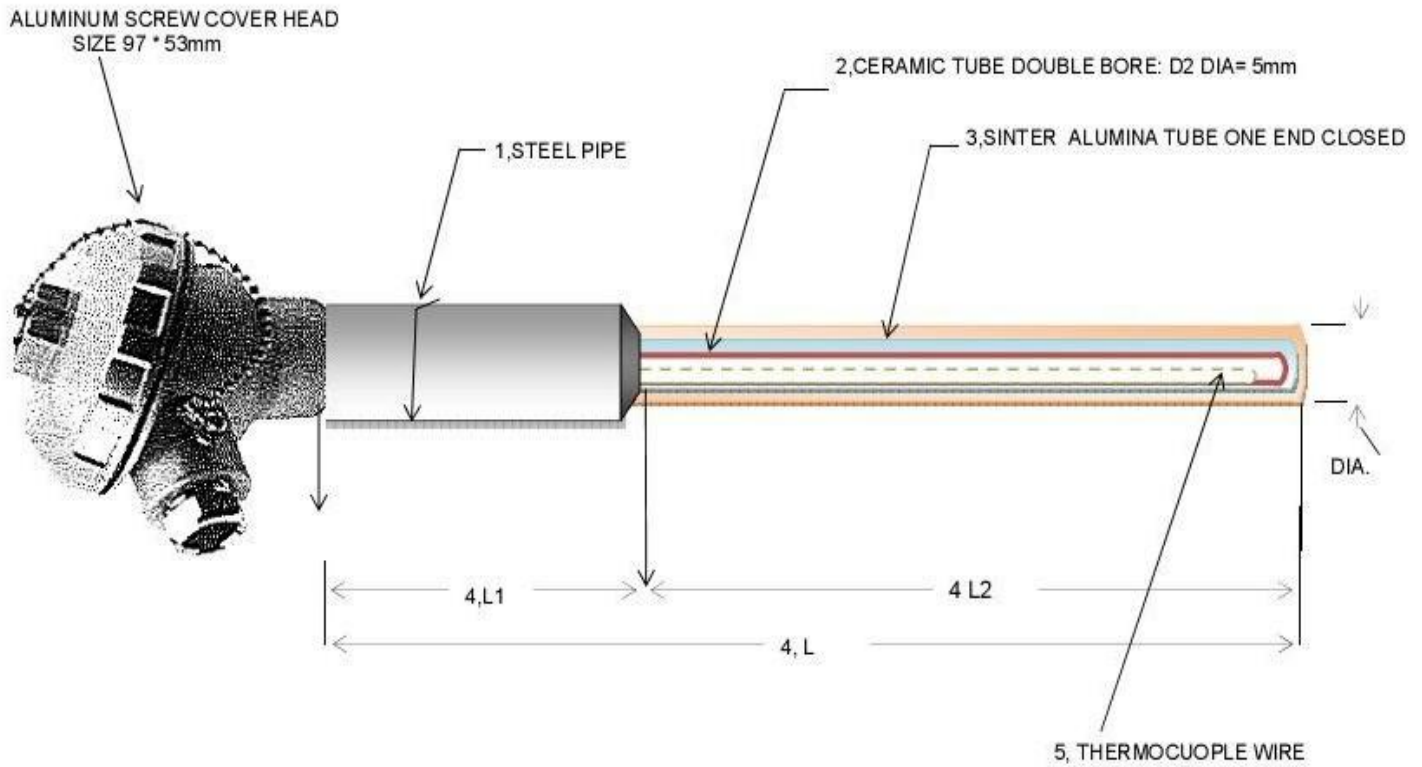


CATALOGUE

General Description



Note:

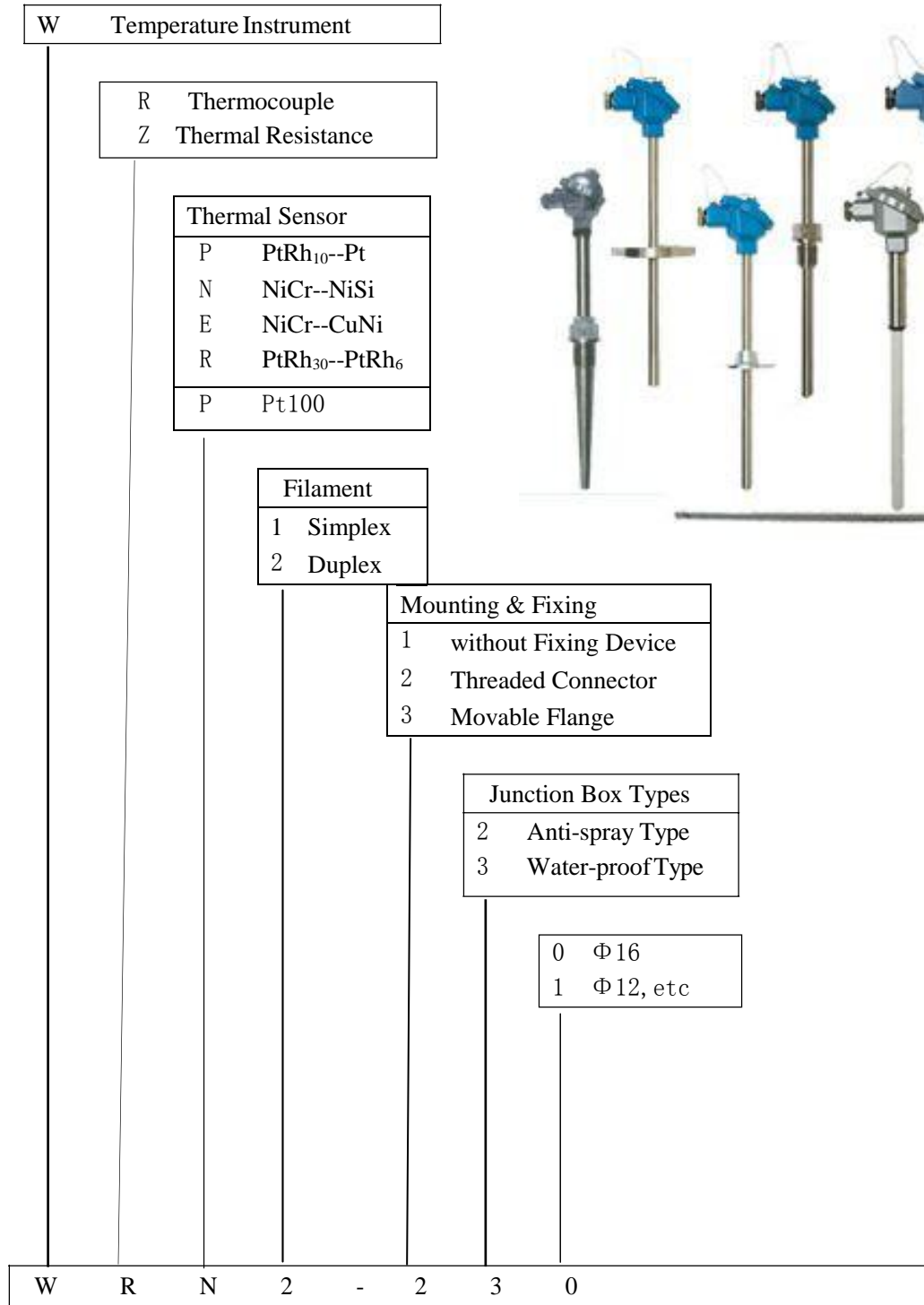
Please supply details as below:

- 1, Steel pipe material, and diameter of steel pipe.
- 2, Diameter of alumina tube.
- 3, Length of L1, L2 and L.
- 4, Diameter of thermocouple wire.

CATALOGUE

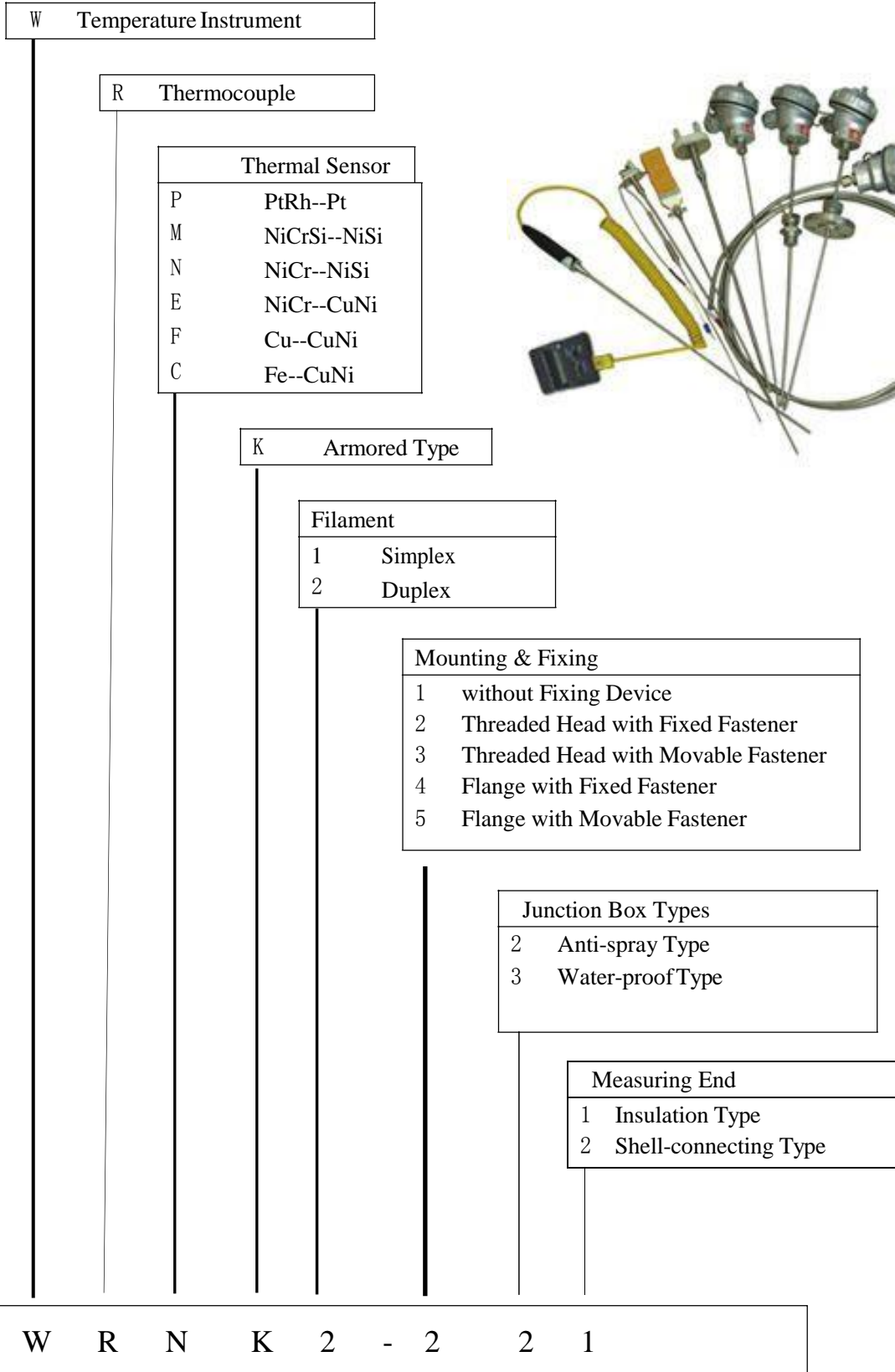
WR Series Thermocouple

Assembly Thermocouple



CATALOGUE

Armored Thermocouple



CATALOGUE

Screw thermocouple

Usually use in packing machine



Spring thermocouple

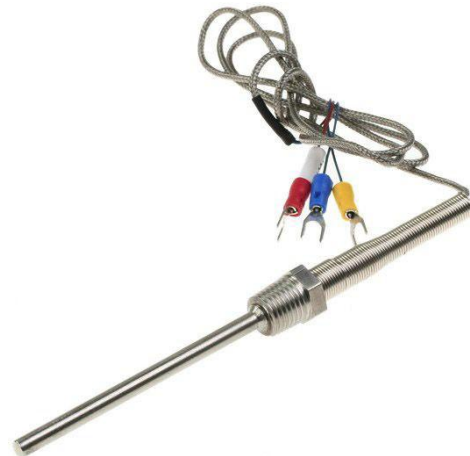


Small thermocouple with wire/cable

Measure high temperature, yieldingness,

lower price and easy to fix

Fixed screw thermocouple



Platinum Rhodium Thermocouple



CATALOGUE

1.S type thermocouple

Item: WRP-S-130

Material: Steel+ceramic tube

Thermocouple wire:+Platinum rhodium10%
- Platinum

Temperature range: 0-1600℃

Total length:1000mm

Unit Weight: about 0.8kgs

Size: \varnothing 16*1000mm

2.B type thermocouple

Item:WRR-B-130

Material: Steel+ceramic tube

Thermocouple wire:+platinum rhodium30%
- Platinum rhodium6%

Temperature range:0-1800℃

Total length:1000mm

Unit Weight:0.8kg

Size: \varnothing 16*1000mm



3.R type thermocouple

Item:WRQ-R-130

Material: Steel+ceramic tube

Thermocouple wire:+platinum rhodium13%
- Platinum100%

Temperature range:0-1600℃

Total length 1000mm

Unit Weight:0.8kg

Size: \varnothing 16*1000mm

CATALOGUE

4.100 type thermocouple

Name	Type	Graduation	Length (mm)	Range	Diameter (mm)	Material
Tiny thermocouple	WRP-100	S	252*225 375*300 202*175	0-1300 °C	Ø7	Corundum ceramics



K Type thermocouple

Item: WRN-K-130

Material: Steel 304/316/Cr25Ni20/1Cr18Ni9Ti

Thermocouple wire: +Ni-Cr
-Ni-Si

Temperature range: 0-1200°C

Total length: 1000mm

Unit Weight: about 0.8kgs

Size: \varnothing 16*1000mm



Item: WRN-K-230

Material: Steel 304/316/Cr25Ni20/1Cr18Ni9Ti

Thermocouple wire: +Ni-Cr
-Ni-Si

Temperature range: 0-1200°C

Total length: 1000mm

Unit Weight: about 1kgs

Size: \varnothing 16*1000mm

Thread: M27*1.5



Co., Ltd

CATALOGUE

Item: WRN-K-330

Material: Steel 304/316/Cr25Ni20/1Cr18Ni9Ti

Thermocouple wire: +Ni-Cr
-Ni-Si

Temperature range: 0-1200°C

Total length: 1000mm

Unit Weight: about 1kgs

Size: \varnothing 16*1000mm

Flange: DN25



Item: WRN-K-430

Material: Steel 304/316/Cr25Ni20/1Cr18Ni9Ti

Thermocouple wire: +Ni-Cr
-Ni-Si

Temperature range: 0-1200°C

Total length: 1000mm

Unit Weight: about 1kgs

Size: \varnothing 16*1000mm

Flange: DN25



Item: WRN-K-530

Material: Steel 304/316/Cr25Ni20/1Cr18Ni9Ti

Thermocouple wire: +Ni-Cr
-Ni-Si

Temperature range: 0-1200°C

Total length: 1000mm

Unit Weight: about 1.2kgs

Size: \varnothing 16*1000mm

Flange: DN25



CATALOGUE

Armored thermocouple

K type thermocouple

Item: WRNK-131

Material: Steel 304/316/Cr25Ni20/1Cr18Ni9Ti

Thermocouple wire: +Ni-Cr
-Ni-Si

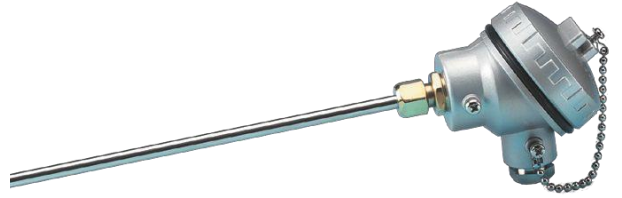
Temperature range: 0-1000°C

Total length: 1000mm

Unit Weight: about 0.8kgs

Size: \varnothing 6*1000mm

Fix: thread, flange



Item: WRNK-231

Material: Steel 304/316/Cr25Ni20/1Cr18Ni9Ti

Thermocouple wire: +Ni-Cr
-Ni-Si

Temperature range: 0-1000°C

Total length: 1000mm

Unit Weight: about 0.8kgs

Size: \varnothing 6*1000mm

Fix: thread M16*1.5, M27*2, 1/2NPT



Item: WRNK-331

Material: Steel 304/316/Cr25Ni20/1Cr18Ni9Ti

Thermocouple wire: +Ni-Cr
-Ni-Si

Temperature range: 0-1000°C

Total length: 1000mm

Unit Weight: about 0.8kgs

Size: \varnothing 6*1000mm

Fix: thread, flange



CATALOGUE

Item: WRNK-104

Material: Steel 304/316/Cr25Ni20/1Cr18Ni9Ti

Thermocouple wire: +Ni-Cr
-Ni-Si

Temperature range: 0-1000°C

Total length: 1000mm

Unit Weight: about 0.8kgs

Size: $\varnothing 6 \times 1000$ mm

Fix: thread, flange



Item: WRNK-181

Material: Steel 304/316/Cr25Ni20/1Cr18Ni9Ti

Thermocouple wire: +Ni-Cr
-Ni-Si

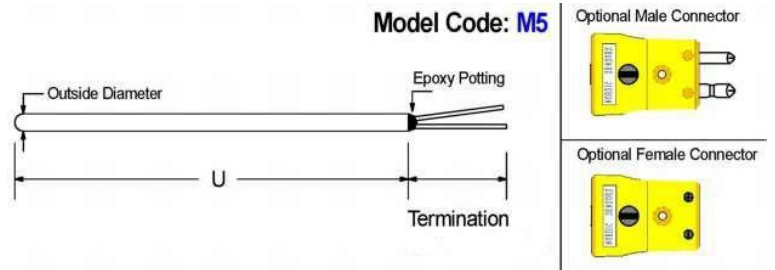
Temperature range: 0-1000°C

Total length: 1000mm

Unit Weight: about 0.8kgs

Size: $\varnothing 6 \times 1000$ mm

Fix: plug



Item: WRNK-187

Material: Steel 304/316/Cr25Ni20/1Cr18Ni9Ti

Thermocouple wire: +Ni-Cr
-Ni-Si

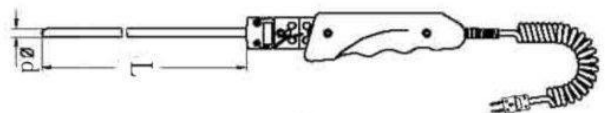
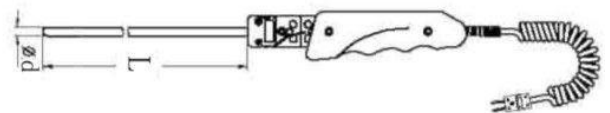
Temperature range: 0-1000°C

Total length: 1000mm

Unit Weight: about 0.8kgs

Size: $\varnothing 6 \times 1000$ mm

Fix: handle



CATALOGUE

Item: WRNK-191

Material: Steel 304/316/Cr25Ni20/1Cr18Ni9Ti

Thermocouple wire: +Ni-Cr
-Ni-Si

Temperature range: 0-1000°C

Total length: 1000mm

Unit Weight: about 0.8kgs

Size: \varnothing 6*150mm

Fix: plug



Wear-resisting Thermocouple

Item : WRNM-K-330

Material: Complete stainless steel structure

Thermocouple wire: +Ni-Cr-Ni-Si

Temperature range: 0-1300°C

Total length: 900mm

Unit Weight: about 0.8kgs

Size: \varnothing 20*300mm*900mm

Fix: thread, flange



immersion thermocouple

Item: KW/KB/KS/KR-602,604

Material: paper tube

Temperature range: 0-2000°C

Total length: 300mm, 600mm, 900mm

Unit Weight: about 0.8kgs

Diameter: \varnothing 30mm, \varnothing 28mm



CATALOGUE

Temperature Controller

HY-XMTA-7000



Input Specifications	Thermocouple: K, J, E Thermal Resistance: Pt100
Output Signal	Relay output, Voltage output
Measurement Range	K(0-1350°C) ,J(0-1000°C) ,E(0-1000°C),Pt100(-200-650°C)
Measurement Precision	1.0 class ($\pm 1.0\%F\pm 1$) 0.5 class($\pm 0.5\%F\pm 1$)
Sample Rate	Twice per second
Regulating Methods	Intelligent PID control, according to the value of PID parameters, we can get P(P=0 is on-off control),PI,PD,PID regulating mode
Alarm function (optional function)	Upper limit, lower limit, deviation value, absolute value Contact Capacity(Resistance Load): AC250V 2A
Power supply	220AC $\pm 10\%$ 50/60HZ (Other voltages can be customized)
Power Consumption	$\leq 3VA$
Working Conditions	Temperature : -10-50°C Humidity: $\leq 85\%RH$ non-corrosive environment

CATALOGUE

Paperless Recorder

1.HY1000R Paperless Recorder



Screen color:blue/color

Channels:1-40

Input signal:Current:0-20mA, 0-10mA, 4-20mA,etc.

Voltage:0-5V, 1-5V, 0-10V, $\pm 5V$,etc.

Thermal resistance:Pt100, Cu50, Cu100

Linear resistance:0-400 Ω

Thermocouple:B,S,K,E,T,J,R,N,Wre3/25, Wre5/26

Output signal:Analog output:0-10mA DC, 4-20mA DC

Alarm output:normally open relay contact output

Feed output: DC24 V ± 1 , load current ≤ 250 mA

Communication output: RS485/RS232

CATALOGUE

2.HY300R Paper Recorder



Input circuit:Maximum 12 ways

Input signal:Thermocouple:B,S,K,E,T,J,R,N,Wre3/25, Wre5/26

Current:0-20mA, 0-10mA, 4-20mA,etc.

Voltage:0-5V, 1-5V, 0-10V, $\pm 5V$,etc.

Output signal: Analog output:0-10mA DC, 4-20mA DC

Feed output:DC24V, load<30mA

Communication output: RS485/RS232

Use of environment:Temperature:0-50°C

Relative humidity: $\leq 85RH$ avoid gas-corrosion

Supply voltage:AC90-260V-switching power supply

Power: $\leq 15W$

CATALOGUE

Purity platinum products

Its purity is more than 99.95%.Models: 20ml, 30ml, 50ml, 100ml,etc.(These types are used widely.) Standard Form, it is made in gram and than quoted in ml.

Item:Platinum crucible

Product Name	Type	Capacity	Upper Diameter	Height	Thickness	Weight
	Code	(ml)	(mm)	(mm)	(mm)	(g)
Pt crucible with lid Pt purity \geq 99.95% Can produce according to Customers' requirement	WXBCR10	10	28	28	0.26	11
	WXBCR15	15	32	32	0.26	15
	WXBCR20	20	35	35	0.27	20
	WXBCR25	25	37	37	0.27	25
	WXBCR30	30	39	40	0.29	30
	WXBCR35	35	40	40	0.29	35
	WXBCR40	40	42	42	0.29	40
	WXBCR50	50	44	44	0.31	50
	WXBCR60	60	49	49	0.33	60
	WXBCR80	80	54	54	0.35	70
	WXBCR100	100	60	60	0.37	85
	WXBCR150	150	70	70	0.38	156
	WXBCR200	200	74	74	0.38	175
	WXBCR250	250	78	78	0.39	198
WXBCR300	300	86	83	0.4	240	



CATALOGUE

Item:Crucible Tongs

Crucible Series				
mode	stainless steel	stainless steel	standard crucible tongs	executive standard
1	crucible	crucible tongs(cm)	weight(gram)	
1	6"	15	4	Can produce according to Customers' requirement
2	8"	20	5	
3	10"	26	6	
4	12"	30	7	
5	14"	36	8	
6	16"	41	9	
7	18"	46	10	
8	20"	51	11	
9	22"	56	12	
10	24"	62	14	



Item:Platinum dish

Product Name	Code number	Capacity	Diameter	Depth	Weight dish	Weight lid
		(cc)	(mm)	(mm)	(g)	(g)
Pt dish Pt purity $\geq 99.95\%$ we can produce as per your order	GD20	20	41	20	6	6
	GD25	25	42	23	8	10
	GD35	35	49	25	12	13
	GD40	40	51	26	15	14
	GD50	50	53	29	17	15
	GD60	60	58	30	20	19
	GD75	75	65	30	25	22
	GD100	100	70	33	33	25
	GD125	125	74	34	42	28
	GD150	150	77	41	50	33
	GD175	175	84	40	55	41
	GD200	200	90	43	67	44
	GD250	250	94	42	80	51
	GD300	300	110	45	94	55
	GD400	400	115	48	133	58
GD500	500	124	50	170	61	
GD750	750	124	75	270	61	



